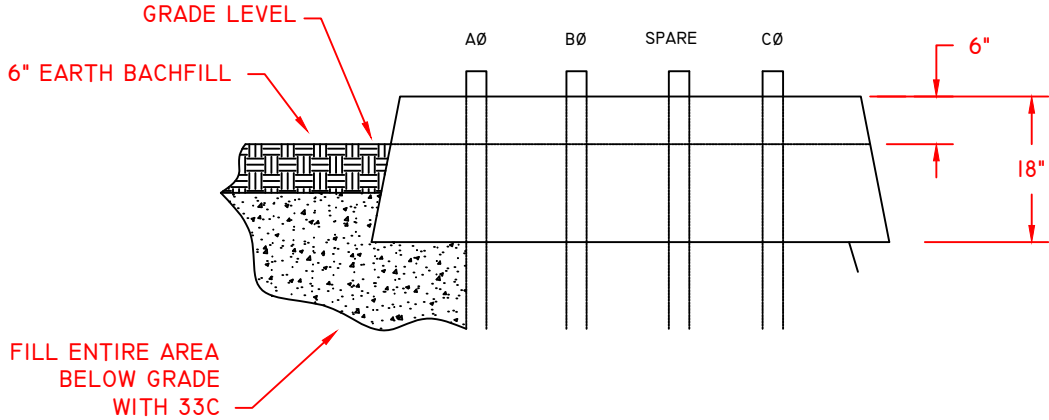
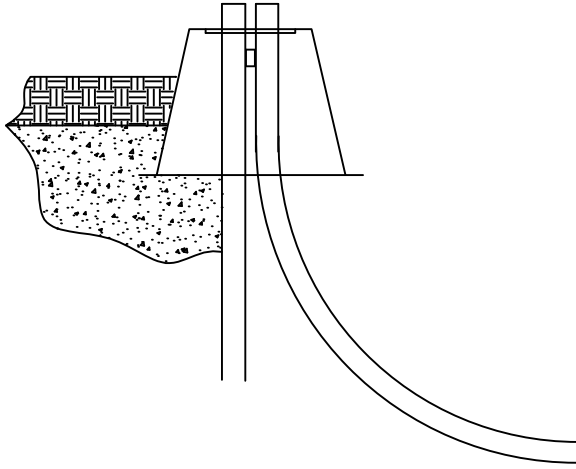
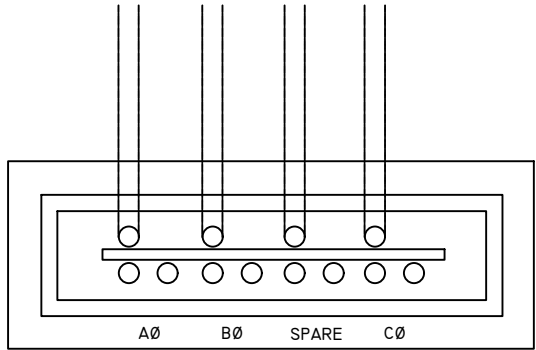


REVISIONS				
ZONE	REV	DESCRIPTION	DATE	APPROVED



GROUND SLEEVE FRONT ELEVATION

NOTES:

1. CONTRACTOR SHALL INSTALL GROUND SLEEVES PROVIDED BY UCEA PER UCEA SPECS.
2. USE ONLY 2.5", 36" RADIUS SWEEPING PVC. ELBOWS WHEN TURNING CONDUIT UP INTO CABINETS AND UP POLES.
3. MAINTAIN MINIMUM OF 2" CLEARANCES BETWEEN CONDUITS.
4. ALL CONDUITS MUST BE CAPPED UPON INSTALLATION
5. HOLE FOR CABINET SLEEVE SHALL BE BACKFILLED WITH 33C UP TO 6" BELOW GRADE LEVEL. THE REMAINING FILL WILL BE WITH SOIL.

WORK ORDER	UNION CITY ENERGY AUTHORITY			
	3Ø UNDERGROUND SECTIONALIZING CABINET (GROUND SLEEVE DETAIL)			
DESIGNED BY: K. FERGUSON	SIZE A	FSCM NO.	DWG NO. C:\DRAWINGS\CONSTRUCTION DWGS UNDERGROUND SPECS\3-PHASE JCT. CABINET	REV
DRAWN BY: K. FERGUSON	SCALE	DATE: 06/30/09	SHEET	